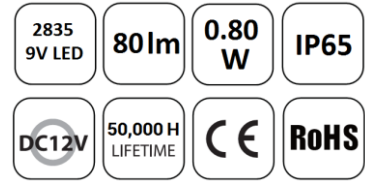


Alpine A2-0.80

LEDs with optics

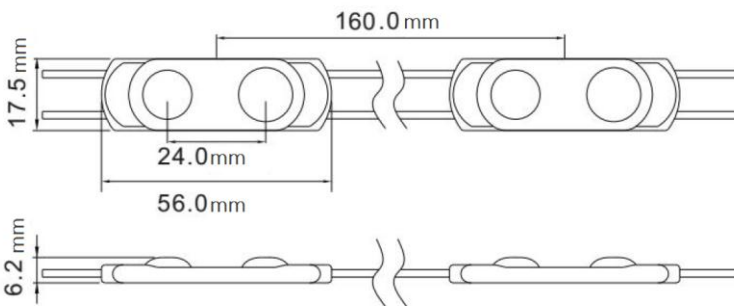
KEY FEATURES

- Great solution for slim letters and light cabinets
- **170°** angle of radiation, **PRO BEAM PATTERN**
- More face coverage, less installed modules, less cost
- Lifespan is more than 50,000 hours
- IP65 ingress protection
- 5 years warranty

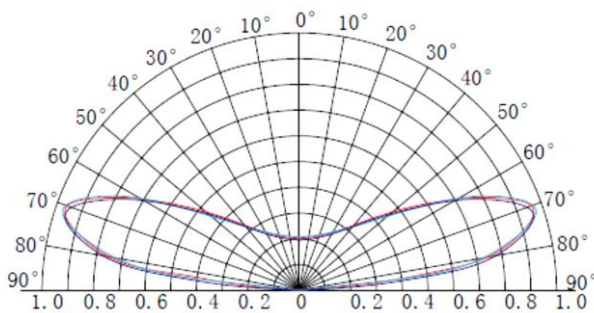


Minimal recommended depth for channel letters.....40 mm
Minimal recommended depth for light cabinets.....50 mm

DIMENSIONS: units in mm



INTENSITY DISTRIBUTION CHART



SPECIFICATIONS*:

Part number	Alpine A2-0.80
Input voltage	12V DC
Power consumption	0.80 Watt
LED package	SMD 2835
Housing	PVC
Lm per module	80 lm
Viewing angle	170°
CRI (minimal)	75
Available colors	7,000 K
Max. quantity in series	25 pcs
Lead wire	18AWG
Ingress protection	IP 65
Operating temperature	- 25°C to +60°C

Meets EU & EAC safety & electrical standards

Packaging

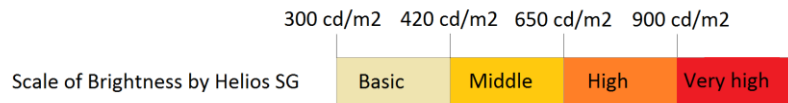
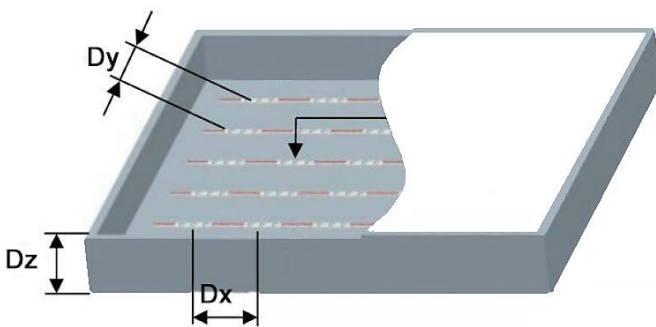
Anti - static bag100 pcs
Master box1,000 pcs
Master box G.W.10,5 kg

*Technical data is subject to change without notice

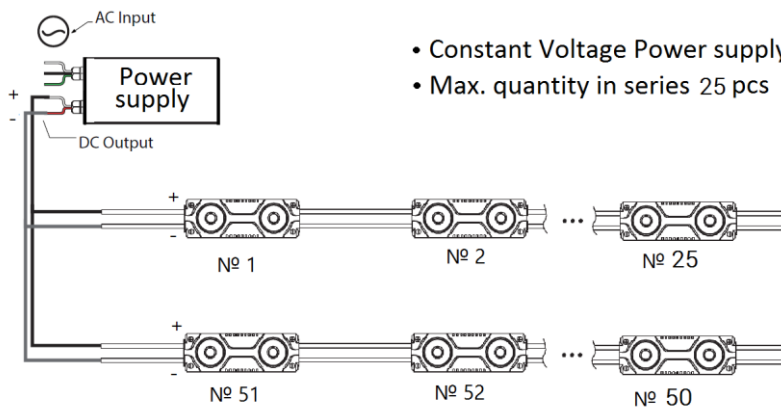
RECOMMENDED A2 0.80 DENSITY LAYOUT

Dz = Can depth (mm)	Layout (mm)	Density (pcs/m ²)	Brightness (cd/m ²)*
50	Dx=110 Dy=100	91	> 600
60	Dx=130 Dy=130	60	> 500
80	Dx=150 Dy=180	37	> 420
100	Dx=150 Dy=220	30	> 350
120	Dx=150 Dy=240	28	300

- 3mm opal acrylic glass applied, transmittance about 50%. Other face materials require testing on site.
- The data is for reference only.



CONNECTION TO POWER SUPPLY



- Constant Voltage Power supply
- Max. quantity in series 25 pcs