

# Helios SG

www.ledunicom.lv  
 www.ledunicom.by

## HP 2.0 DAE

High power for double-sided Light cabinets

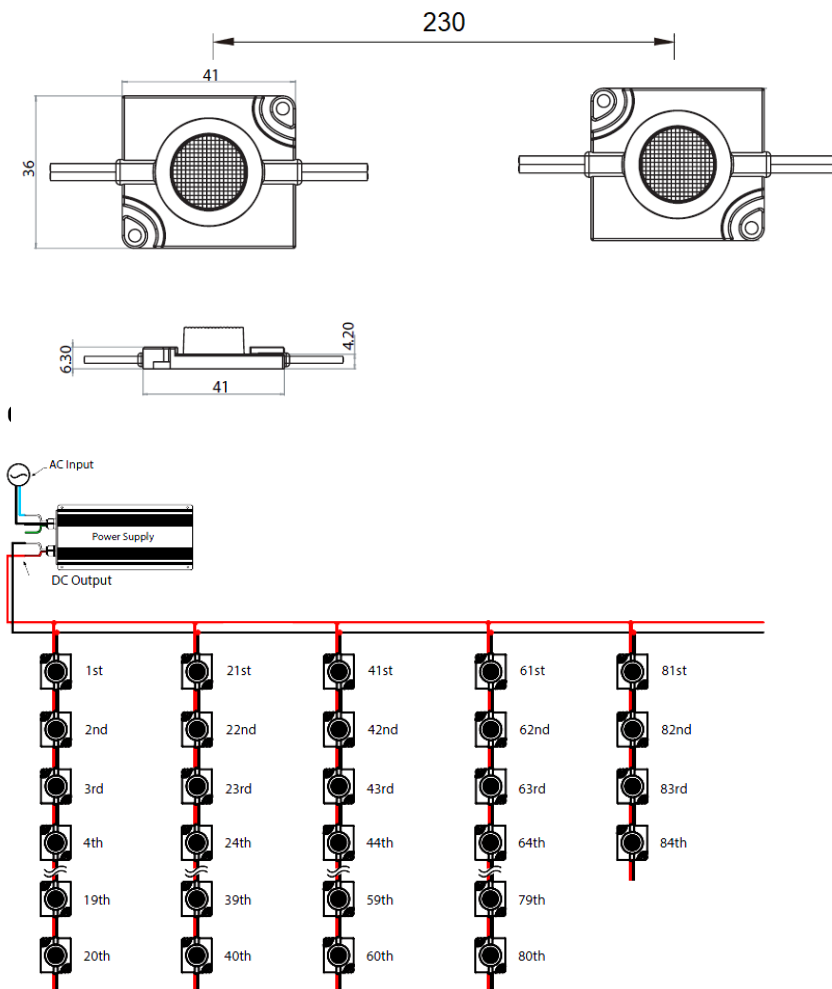
### KEY FEATURES

- Guaranteed life time **up to 42,500 hours with 70% lighting output**
- **Ideal viewing angle for double-sided signage : 20° X 45°**
- Built-in patent pending **wire holder** for fast and easy installation
- **Even illumination** starting from **120 mm can depth**
- **Constant current** driving mode
- Installation **by 1 module**
- Fully integrated aluminum heat sink for optimal heat dissipation
- **IP65** ingress protection



RECOMMENDED DEPTH FOR LIGHT CABINETS.....120 mm – 200 mm

**DIMENSIONS:** units in mm



### SPECIFICATIONS\*:

Part number.....HP 2.0 DH  
 Input voltage.....12V DC  
 Power consumption (typical).....2.0 Watt  
 LED package.....SMD 3535  
 Housing.....ABS  
 Optics.....PMMA  
 PCB.....Aluminum

Lm per module (typical).....220 lm  
 Viewing angle .....20° x 45°  
 CRI (minimal).....75

Available colors  
 Daylight white.....6,200 - 6500K

Max. allowed quantity in series.....20 pcs  
 Lead wire.....20 AWG

Ingress protection.....IP 65  
 Operating temperature .... - 25°C to +60°C

Meets EU & EAC safety & electrical standards:

Packaging  
 Inner bag.....20 pcs  
 Master box .....1000 pcs  
 Master box G.W. ....9,50 kg

\*Technical data is subject to change without notice

Latvia  
 SIA "Ledunicom" (office & warehouse)  
 Legal address: 20 Braslas iela, off. 115  
 Rīga, LV-1084, Latvija  
 Tel.: +371 67040635  
 E-mail: info@ledunicom.lv  
 www.ledunicom.lv

Belarus  
 ELEMENT ELECTRICS LTD.  
 (office & warehouse)  
 Legal address: 3 Michurin str. off. 13  
 Minsk, BY-220021, Belarus  
 Tel.: +375 17 3975738  
 E-mail: info@helios-led.by  
 www.helios-led.by